

54cm white freestanding oven with fan forced oven, timer, light, separate electric grill and electric cooktop with ceramic glass.



Product Details

FEATURES

Ceramic stove top

Class-leading capacity
With 80L gross oven capacity, you can entertain guests and cook big family meals with absolute ease.

Handy separate grill
Now you can grill and bake at the same time while keeping different cooking flavours and smells apart.

Easy-clean convenience
Save time and elbow grease with specially formed shelf supports and acid-resistant enamel. Plus, the new removable glass door system allows for quick and easy cleaning and no trapped grease. With a Chef freestanding cooker, a simple wipe clean is all you need.

BENEFITS

Easy clean ceramic

Not only does it look great, the durable glass surface on Chef ceramic cooktops is easy to clean, helping you to keep your kitchen looking its best

Class-leading capacity

Chef freestanding cookers have one of the largest cooking cavities and an 80L gross oven capacity for all your family meals. Plus, the separate grilling compartment means you can entertain guests and cook big family meals with absolute ease.

Easy clean convenience

Save time and effort with easy clean features such as the removable glass door system. This allows for quick and easy cleaning with no trapped grease. The specially formed shelf supports and acid-resistant enamel also allow for a simple wipe clean.

Built in Australia

Chef has been part of Australian homes for generations and the kitchen appliance brand we have always known and trusted to build reliable products. This oven is built in a local factory in Adelaide.

Specifications

PRODUCT PROFILE

Domestic warranty details (yrs) 2

Oven fuel electric

Materials/Colour white enamel,white,ceramic

Controls of Oven control knob

Cooling fan No

Plinth colour (kickboard) white

Front/rear controls front

Warming drawer No

Storage drawer No

MAIN OVEN

Gross capacity litres 80

Useable capacity litres 74

Oven function fan forced

DIMENSIONS

PRODUCT DIMENSION

Total height (mm) 970

Total width (mm) 540

Total depth (mm) 630

SECOND OVEN OR GRILL

Fold down grill element No

Closed door grilling No

MAIN OVEN

| | |
|---------------------------|--------|
| Cleaning | none |
| Timer functions | Ringer |
| Lights | 1 |
| Layers of glass in door | 2 |
| Number of shelves | 11 |
| Number of shelf positions | 14 |
| Closed door grilling | No |

ELECTRICAL CONNECTION

| | |
|--------------------|-----------|
| Connected load KW | 9.6 |
| Type of connection | hardwired |

SHIPPING

| | |
|-----------------------------|-------|
| Shipping Volume (m3) | 0.520 |
| Shipping Weight (Kg) | 45 |
| Pack Dimensions Height (mm) | 1235 |
| Pack Dimension Width (mm) | 580 |
| Pack Dimension Depth (mm) | 726 |

STUFFING QUANTITIES

| | |
|---------|-----|
| 40ft | 128 |
| 40ft HC | 152 |

COOKTOP (IF APPLICABLE)

PRODUCT PROFILE

| | |
|--------------------------------------|--------------|
| Cook top type | ceramic |
| Materials/Colour | ceramic |
| Trim finish | white enamel |
| Removable trim (for cleaning) | No |
| Wok included designed to fit cooktop | No |
| Knob finish | white |

ELEMENTS/BURNERS

| | |
|----------------|----|
| Cooking zones | 4 |
| Pot sensors | No |
| Boost function | No |

LEFT FRONT ZONE

| | |
|------------------------------------|------|
| Left front Watts | 1500 |
| Left front number of cooking zones | 1 |

LEFT REAR ZONE

| | |
|-----------------|---------|
| Left rear zone | ceramic |
| Left rear watts | 2000 |

RIGHT FRONT ZONE

| | |
|-------------------------------------|------|
| Right front Watts | 1500 |
| Right front number of cooking zones | 1 |

Left rear number of cooking zones 1

RIGHT REAR ZONE

Right rear watts 1000

Right rear number of cooking zones 1

ELECTRICAL CONNECTION

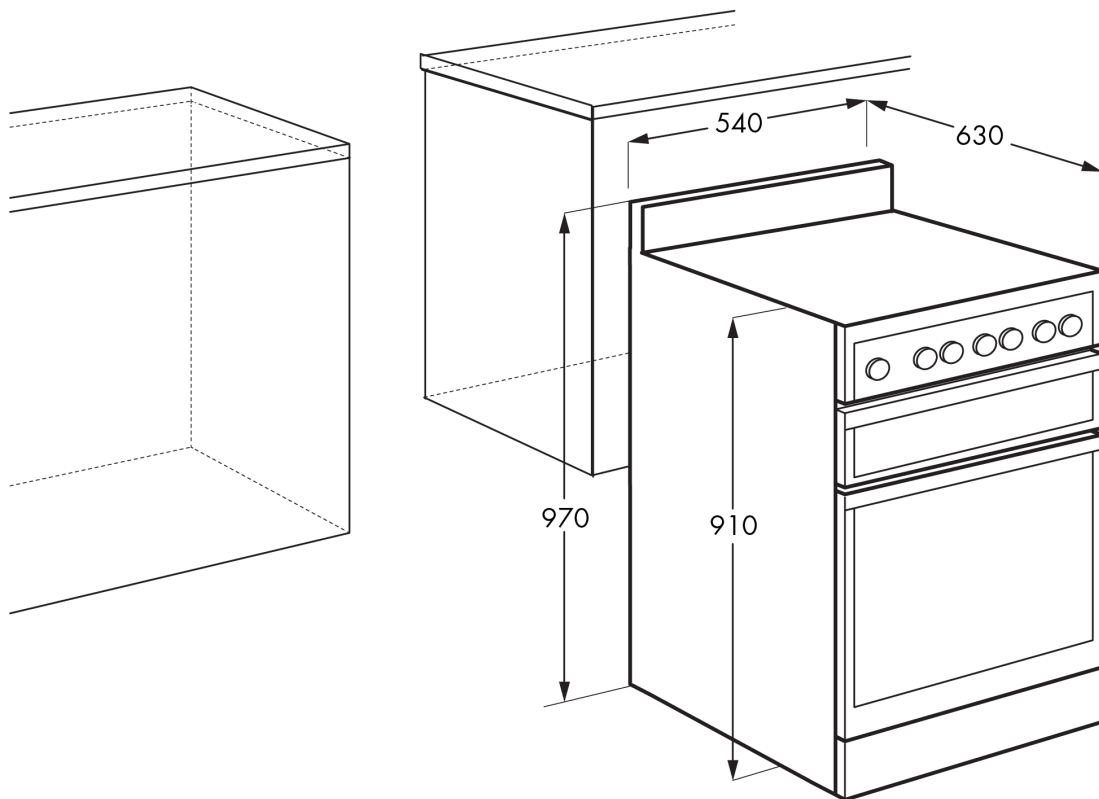
Controls of BBQ Features no

CONTROLS

Position of controls front

Dimensions

IMPORTANT These dimensions are a guide only. All measurements are in millimetres (mm). For complete installation instructions, refer to the manual provided with product.



© 2024 Electrolux Home Products Pty Ltd. ABN 51 004 762 341. CHF_DIM_CFE547SBB_CFE547WBB_Mar24

Terms and Conditions

IMPORTANT

This is a guide of product dimensions only. For complete installation instructions, refer to the manual provided with product.

PRODUCT INFORMATION

The descriptors and illustrations in this publication apply to the specific products and models described as at the date of issue. Under our policy of continuous product development, product specifications may change without notice. Prospective purchasers should therefore check with their retailer to ensure this publication correctly describes the products that are being offered for sale. All information supplied is to be used for general reference purposes only and is on the understanding that Electrolux Home Products Pty Ltd (Australia) and Electrolux (NZ) Ltd (New Zealand) will not be liable for any loss, liability or damage of whatever kind arising as a result of reliance on such information. Colours of products illustrated are as close as printing limitations allow. Electrolux will at all times comply with its obligations pursuant to law including Trade Practices (Australian Consumer Law) Act and Regulations.

WARRANTY

This warranty only applies to Appliances purchased and used in Australia or New Zealand and used in normal domestic applications and is in addition to (and does not exclude, restrict, or modify in any way) any non-excludable statutory warranties in Australia or New Zealand. All warranties are subject to the conditions set out in the warranty card accompanying the product when purchased.

ELECTROLUX HOME PRODUCTS AUSTRALIA

telephone: 1300 363 640

fax: 1800 350 067

email: customercare@electrolux.com.au

web: www.electrolux.com.au

ELECTROLUX HOME PRODUCTS NEW ZEALAND

telephone: 09 573 2230

fax: 09 573 2221

email: customercare@electrolux.co.nz

web: www.electrolux.co.nz